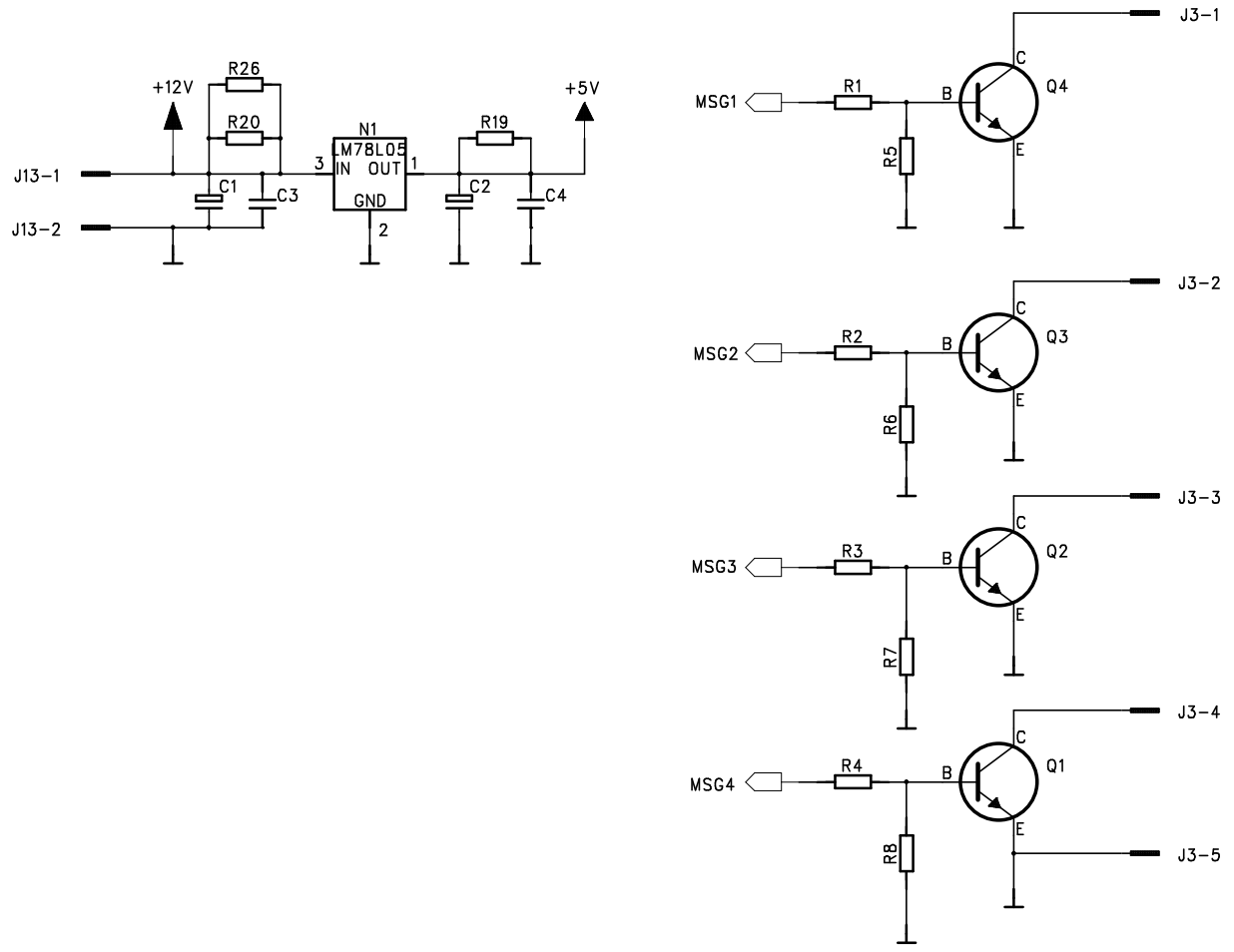
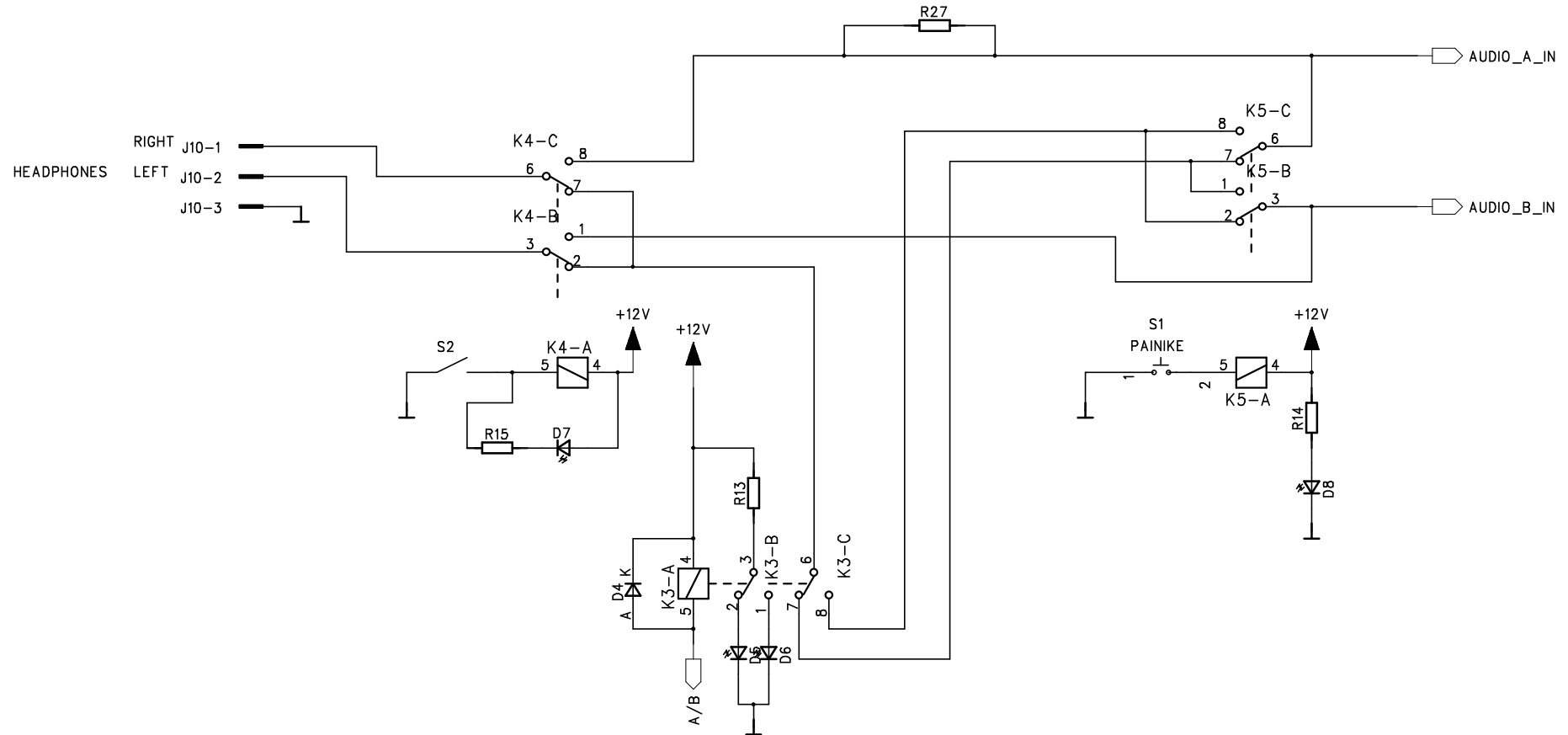


				Project	Design
					Drawn
					Insp
				Code	Apr
				Drw. nr	
		Modification	Date	Name	



				Project	Design
					Drawn
					Insp
				Code	Apr
				Drw. nr	
		Modification	Date	Name	



					Project	Design
						Drawn
						Insp
					Code	Apr
					Drw. nr	
		Modification	Date	Name		